

INDUSTRIAL TUMBLE DRYER

T9

9KG
20LB

T
RANGE

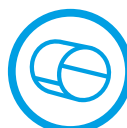


FEATURES

- Standard stainless steel drum with large diameter
- Easy-to-use microprocessor (ECT)
- Combination of Radial and Axial airflow - RADAX® concept:
 - maximal heat transfer
 - low energy consumption
 - short drying time
- Large door opening for easy loading and unloading

OPTIONS

- Coin operated version
- Reversing drum
- Full Control programmer (FCT)
- Residual moisture control Sensodry®:
 - safe drying of delicate linen
 - humidity detection in %
 - ideal in combination with SoftWash®
 - ideal for dry cleaners, fire depts
 - available on Easy and Full Control
- Stainless steel front



STANDARD
STAINLESS STEEL
DRUM



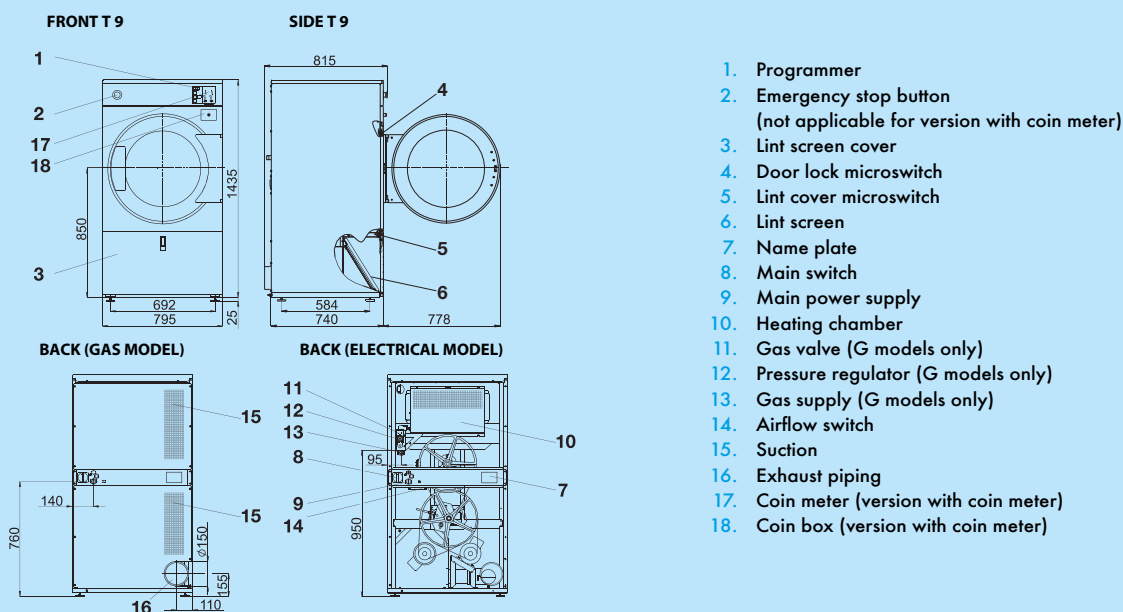
LARGE DOOR
OPENING



ENERGY
EFFICIENT

TYPE		T9
CAPACITY		
Drum capacity	kg/lb	9/20
Drum volume	l	190
Drum diameter	mm	Ø 760
Number of drums		1
Number of loading doors		1
AIRFLOW		
	m ³ /h	350
DRYING AVERAGE		
	l/min.	0,150
MOTORS		
Fan	kW	0,37
Drive	kW	0,18
GAS HEATING		
Gas connection	inch	3/4"
Electrical connection		3x380-415V 50/60Hz, 3x220-240V 50Hz 3x208-240V 60Hz, 3x440V 60Hz
Energy	kW kBTU/h	12,5 42,7
ELECTRICAL HEATING		
Electrical connection		3x380-415V 50/60Hz 3x220-240V 50Hz 3x208-240V 60Hz, 3x440V 60Hz 3x480V 60Hz
Energy	kW	9/12
PROGRAMMER		
Easy control - antivandal (ECT)		Standard
Full control (FCT)		Available
EXHAUST		
	mm	Ø 150
DIMENSIONS		
H×W×D	mm	1465x795x815
Net weight	kg	170
TRANSPORT DATA		
Packed H×W×D	mm	1570x880x885
Gross weight	kg	180

The data concerning dimensions of machines include all extended parts



The company preserves the right to change the machines and the specification in this leaflet at any time, without prior notice. Details and photographs are only for information and never binding.

www.primuslaundry.com

Primus by Alliance Laundry Systems



12-2017